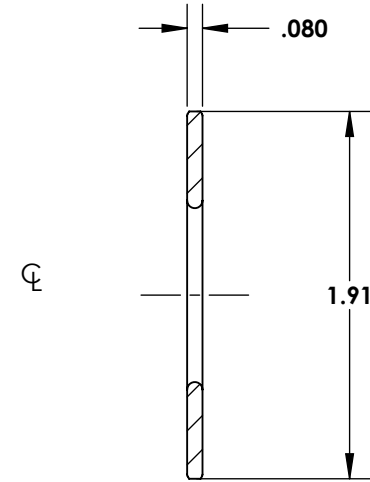
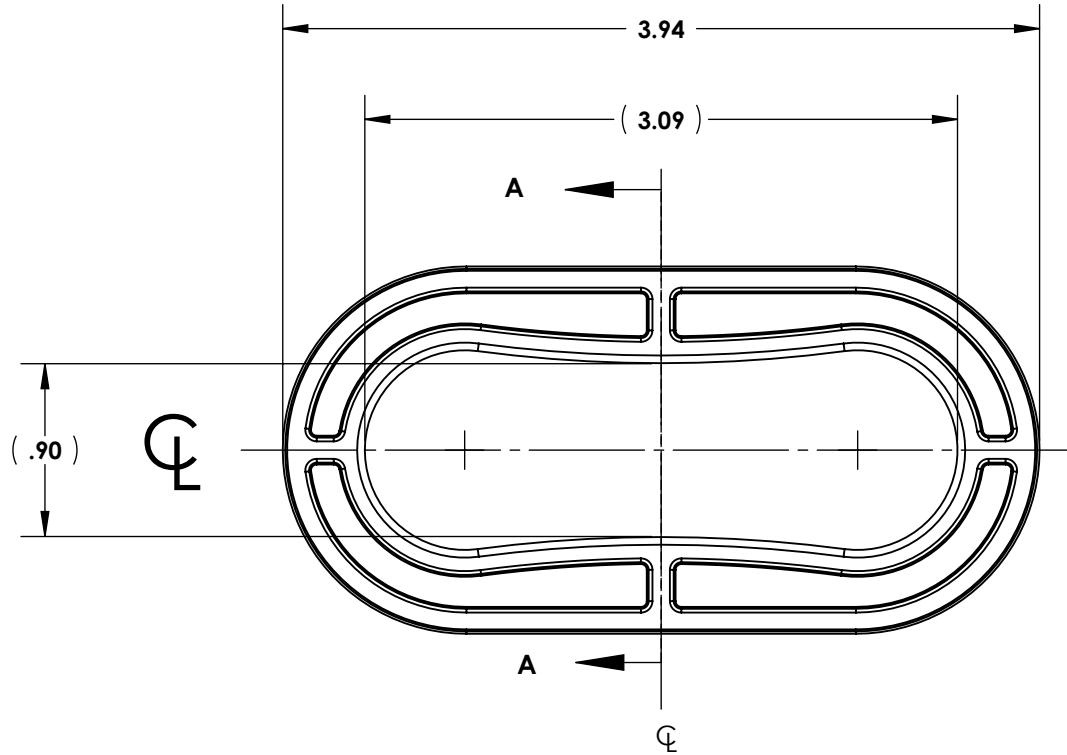
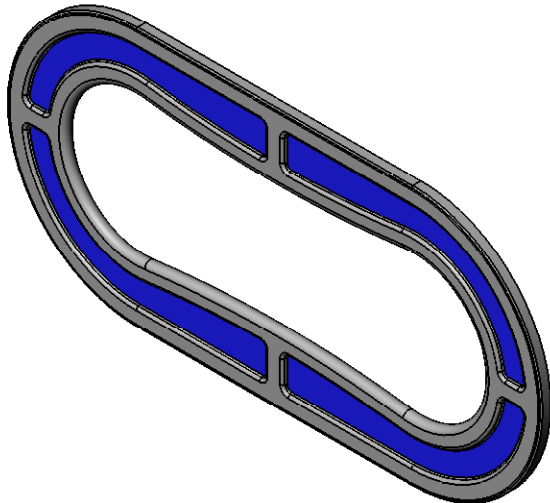


THE INFORMATION CONTAINED IN THIS DRAWING IS THE SOLE PROPERTY OF 2N2, INC. ANY REPRODUCTION IN PART OR WHOLE WITHOUT THE WRITTEN PERMISSION OF 2N2, INC. IS PROHIBITED.


REV.	DESCRIPTION	DATE	ECO	APPROVED
A	REVISE CHAMFER; IS : .010, WAS : .020	9/4/03		KS



SECTION A-A



Part Weight - 3.4 grams

ITEM NO.	PART OR IDENTIFYING NO.	NOMENCLATURE OR DESCRIPTION	MATERIAL SPECIFICATION	QTY REQD	
PARTS LIST					
UNLESS OTHERWISE SPECIFIED DIMENSIONS ARE IN INCHES TOLERANCES ARE: FRACTIONS DECIMALS ANGLES .xx = ±.01 .xxx = ± .005		CAD GENERATED DRAWING, DO NOT MANUALLY UPDATE	2N2, INC.  HANDLE DWG. NO. FPH - SYM		
MATERIAL LDPE OR LLDPE		APPROVALS DRAWN K. Siegel			DATE 9/1/03
FINISH --		CHECKED RESP ENG K. Siegel			
NEXT ASSY		MFG ENG			
USED ON		QUAL ENG			
APPLICATION		DO NOT SCALE DRAWING	SCALE		
			CAD FILE:	SHEET 1 OF 1	